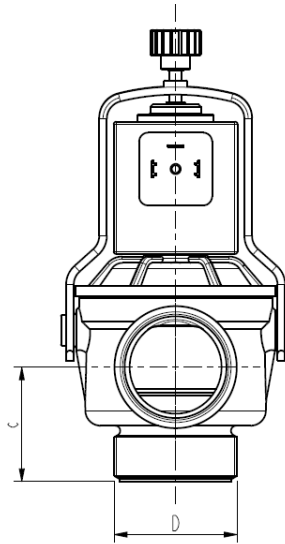
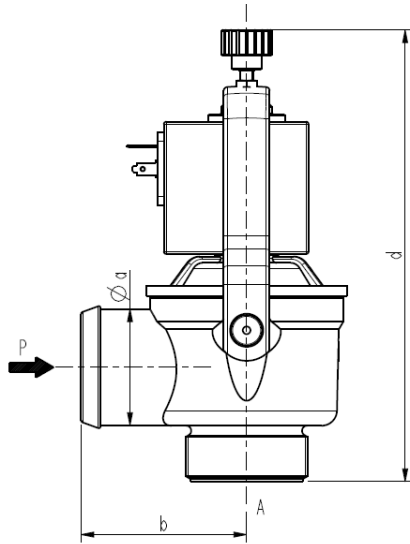




**SOLENOID VALVE - DRY**  
**2/2 - NO (Normally open)**  
**Direct acting - Total isolation**  
**G 1 ½ - 2**

**D237**



D	1 1/2	2
a	46	60
b	65	84
c	45	59
d	177	189



**► GENERAL FEATURES**

Direct acting, total isolation solenoid valve: the actuator is totally isolated from the fluid so that the wetted parts are just the body and the bellow plug.

Possibility of disassembling for inspection.

Particularly suitable for fast drain of tanks.

Suitable to shut off liquid fluids (verify the compatibility of fluid with materials in contact).

**► TECHNICAL FEATURES**

Maximum allowable pressure (PS)	0,3 bar
Opening time	~400ms
Closing time	~400ms
Fluid temperature	-10°C +90°C (NBR) 0°C +130°C (FPM)
Max viscosity	5°E (~37 cStokes or mm <sup>2</sup> /s)

**► MATERIALS IN CONTACT WITH FLUID**

Body PPS (Polyphenilsulfure).  
 Sealing NBR or FPM

**► COIL**

Discontinuous duty ED 60% with max cycle time 40min  
 Encapsulation material PPS (Polyphenilsulfure) fiberglass reinforced  
 Coil insulation class H (165°C)  
 Ambient temperature -10°C +80°C  
 Electric connections DIN 46340 – 3 poles connectors (EN175301-803)  
 Protection degree IP 67 (EN 60529) with plug connector ▲  
 Voltages AC 24V/50Hz - 110V/50Hz (120V/60Hz) - 230V/50Hz (+10% -15%)  
 (Other voltages and frequencies on request).

Port size ISO 228	Orifice size (mm)	Differential pressure (bar)						Kv (m <sup>3</sup> /h)	Series and type		Power absorption			Sealings	Notes	Weight (kg)				
		Δp min	Δp max				Valve		Coil	AC (VA)		DC (W)								
			Gases		Liquids					Inrush	Holding									
			AC	DC	AC	DC														
G 1 ½	36	0	-	-	0,15	-	20	D237B01	Z923G	150	46	-	NBR	-	0,980					
G 2	43						34								1,040					
G 1 ½	36						20	D237V01							FPM	-	-	-	-	0,980
G 2	43						34													1,040

**► NOTES**

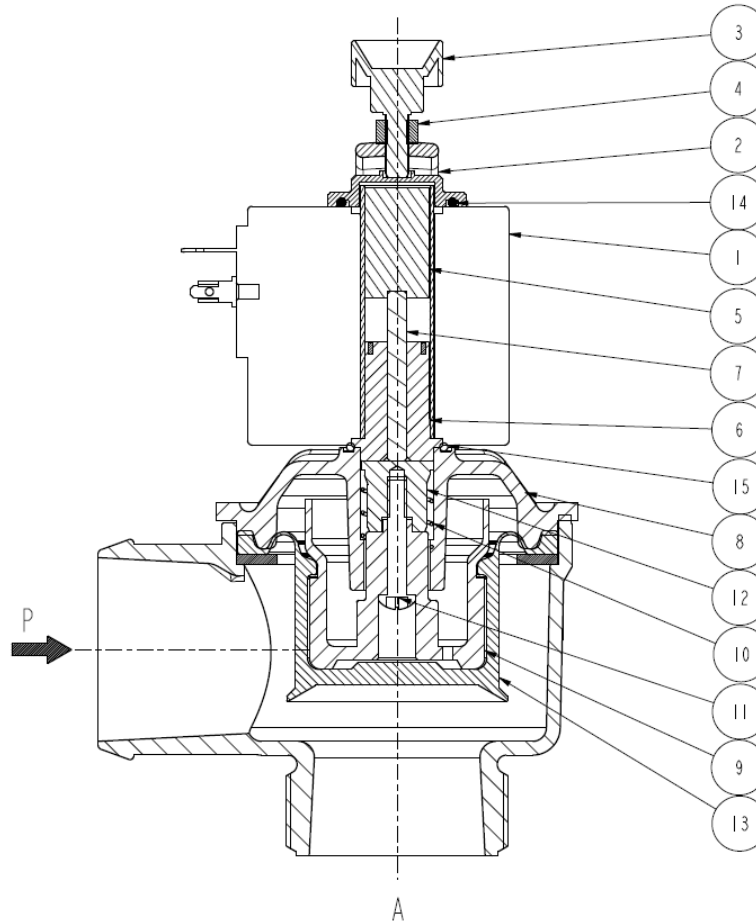
- Sealings : NBR = Nitrile-butylene elastomer FPM = Fluoro-carbon elastomer

The Δp max, indicated in the table, has to be understood with zero pressure downstream the valve.

▲ Coils fitted with sealing gaskets underneath and on the upper part. Particularly suitable to be used in places with high percentage of humidity.

# D237

## ► SPARE PARTS



Kit description	Kit P.N.	Consisting of:	
Clamp kit	G3143701	Clamp pos. 2 Screw pos. 3 Nut pos. 4	
OR kit for coil	G3147201	Upper OR (white) pos. 14 Lower OR (red) pos. 15	
Core kit	G3143801	Core pos. 5 ■ Plugnut pos. 6 Pin pos. 7	
Cover/Bellow kit	G3143901	Cover pos. 8 Diaphragm stiffener pos. 9 Diaphragm springs pos. 10 Screw pos. 11 Bushing pos. 12	
Diaphragm	D237B01 D237V01	2252101R 2252103R	Diaphragm pos. 13
Coil	Z923G		Coil pos. 1

## ► INSTALLATION

- Solenoid valve must be mounted vertical, with coil upwards.
- In case of disassembling for usual maintenance, or for coil replacing, the screw (pos.3) has to be tightened at  $3 \pm 3,5$  Nm torque.
- In case of disassembling for usual maintenance, or for coil replacing, the nut (pos.4) has to be tightened at  $1 \pm 1,5$  Nm torque.
- The core (5) must be assembled with the groove downwards.

THE VALIDITY OF REPORTED DATA IS REFERRED TO THE DATE OF ISSUE. POSSIBLE UPDATES ARE AVAILABLE ON REQUEST.