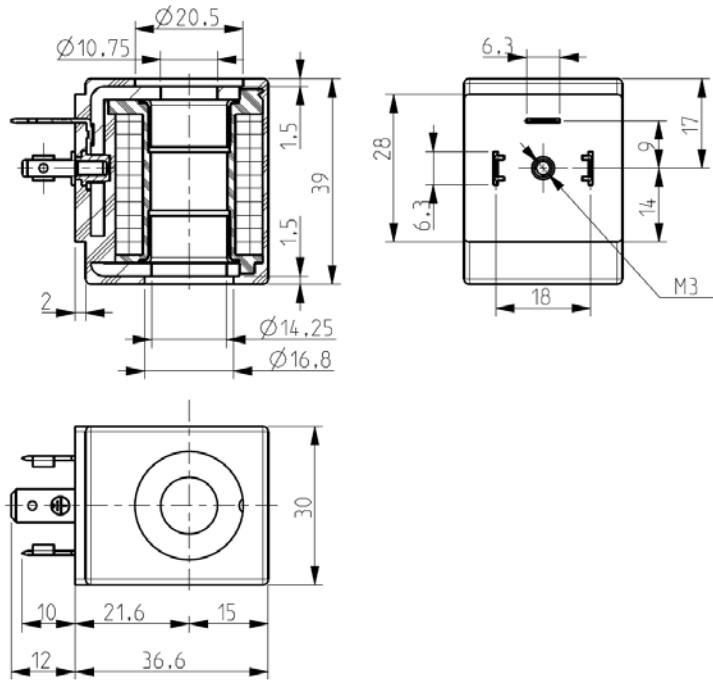




COIL

Spade terminals (DIN 46340)

ZA10



► GENERAL FEATURES

Complying with 2014/35/EU (LVD) and 2014/30/EU (EMC) directives.
Product in accordance with the RoHS 2 directive.
100% inspected.

► ELECTRIC CONNECTIONS

Spade terminals 6,3 x 0,8 (DIN 46340), 2 line + 1 earth terminals.
3 poles plug connector (EN175301-803).

► ENCAPSULATION MATERIALS

PPS (Polyphenilsulfure) fiberglass reinforces

► TECHNICAL FEATURES

Approval "UL Recognized" (class F)
Continuous duty ED 100%
Insulation class F (155°C) – H (180°C)
Ambient temperature Class F: -10°C +50°C
Class H: -10°C +80°C
Protection degree IP 67 (EN 60529) with plug connector
Voltages DC 12-24V (+10% -5%)
AC 24V/50Hz - 115V/50Hz - 230V/50 (+10% -15%)
For the complete voltage list, see overleaf

TYPE		POWER ABSORPTION			NOTES	WEIGHT (kg)
		AC (VA)		DC (W)		
BASIC CODE	CLASS/VOLTAGE CODE	Inrush	Holding			
ZA10A	** See overleaf	23	14	9	1-2	0,130
ZA10B		-	-	10		
ZA10G		-	-	12		

► NOTES

- 1 - approval (valid only if associated with the certified valves; for more information, see overleaf)
- 2 - UL class F - approval (N°E153691)

THE VALIDITY OF REPORTED DATA IS REFERRED TO THE DATE OF ISSUE. POSSIBLE UPDATES ARE AVAILABLE ON REQUEST.

1601/1606

ZA10

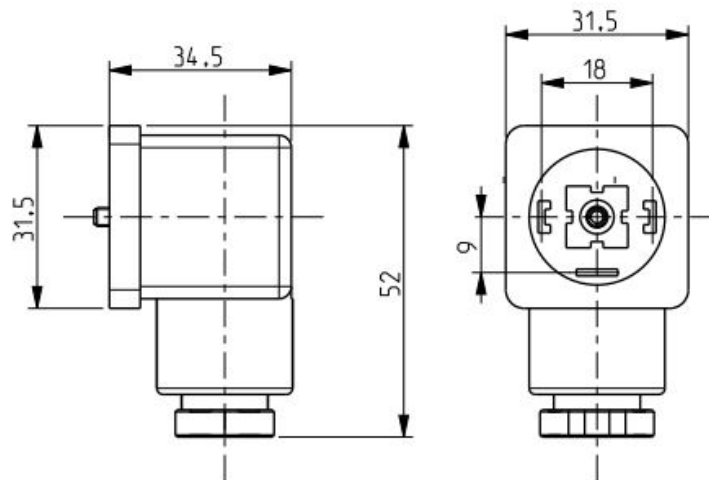
► CODIFICATION TABLE

		** IMQ – CSV and UL class F certified voltage codes																			
		207V DC		24V/50Hz		12V/50Hz		110V/50Hz 120V/60Hz		115V/50Hz		220V/50Hz 240V/60Hz		230V/50Hz		240V/50Hz		12V DC		24V DC	
CLASS	CODE	F	H	F	H	F	H	F	H	F	H	F	H	F	H	F	H	F	H	F	H
ZA10A		-	-	FL	HL	EG	HG	F0	H0	FT	HT	F6	H6	F8	H8	FP	HP	F3	H3	F1	H1
ZA10B		-	-	-	-	-	-	-	-	-	-	-	-	-	-	-	-	F3	H3	F1	H1
ZA10G		EE	JE	-	-	-	-	-	-	-	-	-	-	-	-	-	-	F3	H3	F1	H1

IMQ certified valve bodies (L113 – L120 – L121 – L122 – L123 – L127 – L133 – L134 – L140 – L182 – L191 – L208 – L256 – L257 – L282 – L320 – L321 – L323 – L334 – L621 – L893 – L898 – L957 – L962 – L993 – D105 – D136 – D644 – D605)

** : the complete coil code is composed of the basic code plus the class/voltage code (e.g. **ZA10AF8** = ZA10A coil – Class F – 230V/50Hz)

► ACCESSORIES



Description

IP67 connector, EN175301-803 stile A (ex DIN 43650-A), ISO 4400.

Code

512468