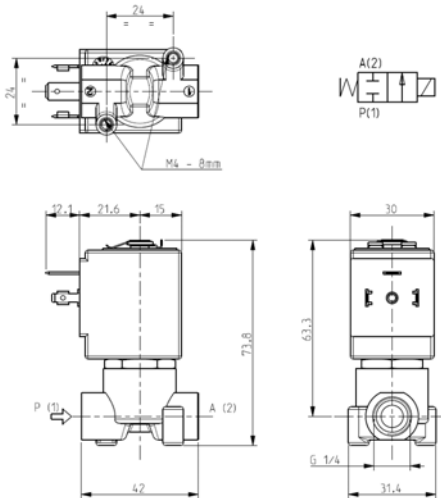




**SOLENOID VALVE**  
**2/2 - NC (Normally closed)**  
**Direct acting**  
**G 1/4**

L121



► **GENERAL FEATURES**

Direct acting solenoid valve.  
 Suitable to shut off liquid and gaseous fluids (verify the compatibility of fluid with materials in contact).

► **TECHNICAL FEATURES**

Maximum allowable pressure (PS)    40 bar  
 Opening time                                ~20ms  
 Closing time                                 ~20ms  
 Fluid temperature                        -10°C +90°C (NBR)  
     0°C +130°C (FPM)  
     -10°C +140°C (EPDM)  
 Max viscosity                                5°E (~37 cStokes or mm<sup>2</sup>/s)

► **MATERIALS IN CONTACT WITH FLUID**

Body    Brass  
 Sealing                                        NBR or FPM or EPDM  
 Internal components                    Stainless steel  
 Seat     Brass  
 Core tube                                     Stainless steel  
 Shading coil                                Copper

► **COIL**

Approval                                      UL (Class F) – for UL cl.H: ZA34  
 Continuous duty                         ED 100%  
 Encapsulation material                PPS (Polyphenilsulfure) fiberglass reinforced  
 Insulation class                            F (155°C) on request class H (180°C)  
 Ambient temperature                    -10°C +50°C  
 Electric connections                    DIN 46340 - 3 poles connectors (EN175301-803)  
 Protection degree                        IP 67 (EN 60529) with plug connector  
 Voltages                                      DC    12-24V (+10% -5%)  
     AC    **ZA10A:** 24V/50Hz - 110V/50Hz (120V/60Hz) -  
                230V/50Hz (+10% -15%)  
     (Other voltages and frequencies on request).

Port size ISO 228	Orifice size (mm)	Differential pressure (bar)				Kv (m <sup>3</sup> /h)	Series and type		Power absorption			Sealings	Notes	Weight (kg)		
		Δp min	Δp max				Valve	Coil	AC (VA)		DC (W)					
			Gases		Liquids				Inrush	Holding						
			AC	DC	AC										DC	
G 1/4	1,6	0	30	30	30	30	0,09	L121V02	ZA10A	23	14	9	FPM	1	0,290	
								L121B02					NBR	1 - 2		
	L121V02		1	FPM												
	L121D02															
	L121B02															
	L121V02															
	2,3	20	16	20	16	0,15	0,30	L121B02	ZA10G	-	-	12	NBR	-		
								L121V02					FPM			
	3,2	12	4	12	4	0,30	0,40	L121B02	ZA10A	23	14	9	NBR	-		
								L121V02					FPM			
								L121D02					EPDM			2
								L121B02					NBR			
4,5	6	2	6	2	0,40	0,40	L121V02	ZA10G	-	-	12	NBR	-			
							L121D02					FPM		2		
							L121B02					NBR				
							L121V02					FPM				
			-	3	-	3	0,40	L121V02	ZA10G	-	-	12	NBR	-		
								L121D02					FPM		2	

► **NOTES**

- Sealings : NBR = Nitrile-butylene elastomer    FPM = Fluoro-carbon elastomer    EPDM = Ethylene-propylene elastomer
- IMQ CSV approval, see ZA10 datasheet for further details
- UL approved coil (E153691)
- 1 - On request special coil ZA10X, class "F", with UL approved windings - see overleaf.
- 2 - Model available on request only: ask for minimum quantity.

# L121

## ► COIL FOR SPECIAL VOLTAGES ZA10X

Approval UL (Class F); see voltages  
 Continuous duty ED 100%  
 Encapsulation material PPS (Polyphenilsulfure) fiberglass reinforced  
 Coil insulation class F (155°C)  
 Ambient temperature -10°C +50°C

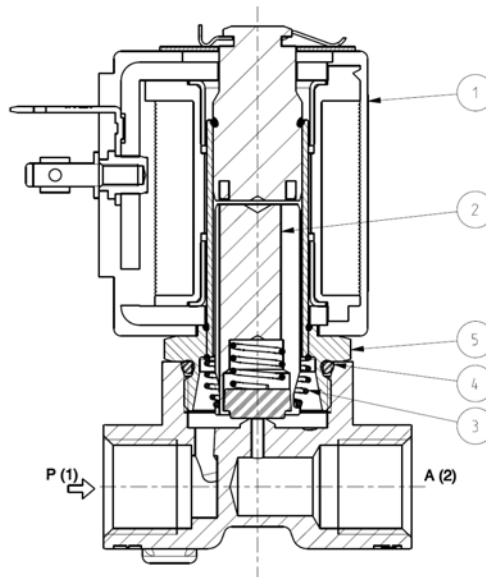
Ambient temperature DIN 46340 - 3 poles connectors (EN175301-803)  
 Electric connections IP 67 (EN 60529) with plug connector  
 Voltages AC 24V/50-60Hz (UL) ▪ 100V/50-60Hz ▪ 115-120V/60Hz ▪  
 200V/50-60Hz ▪ 220-230V/50Hz - 208-240V/60Hz (UL) ▪  
 220-240V/50Hz (UL) ▪ (+10% -15%)

Port size ISO 228	Orifice size (mm)	Differential pressure (bar)				Kv (m <sup>3</sup> /h)	Series and type		Power absorption			Sealings	Notes	Weight (kg)		
		Δp min	Δp max		Valve		DC (W)	Inrush	Holding							
			Gases							Liquids						
			AC	DC						AC	DC					
G 1/4	1,6	0	30	-	30	-	0,09	L121V02	23	14	-	FPM	-	0,290		
	2,3		16	-	16	-	0,15	L121B02				ZA10X	FPM		1	
								L121V02								FPM
								L121D02								
								L121B02								
	3,2		9	-	9	-	0,30	L121V02				FPM				

## ► NOTES

- Sealings : NBR = Nitrile-butylene elastomer FPM = Fluoro-carbon elastomer EPDM = Ethylene-propylene elastomer  
 1 - Model available on request only: ask for minimum quantity.

## ► SPARE PARTS



## Kit description

Core kit

L121B02  
 L121V02  
 L121D02

## Kit P.N.

G3022804  
 G3022803  
 G3022801

## Consisting of:

Core (with core return spring) pos. 2  
 OR guide assembly pos. 4

Core return spring kit

G3022401

N.10 core return spring pos. 3

OR guide assembly kit

L121B02  
 L121V02  
 L121D02

GU2421000017  
 GU2424000017  
 GU2423000017

N.10 OR guide assembly pos. 4

Guide assembly kit

G31486

Guide assembly pos. 5  
 Coil clip

Coil

ZA10A  
 ZA10G  
 ZA10X

Coil pos. 1

## ► MOUNTING

Solenoid valve can be mounted in any position; vertical with coil upwards preferred.