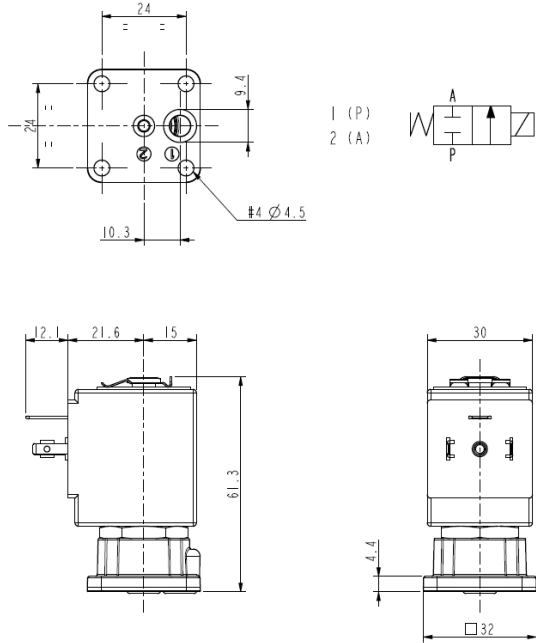




SOLENOID VALVE
2/2 - NC (Normally closed)
 Direct acting
 Sub-base mounting

L134V05-V06



► **GENERAL FEATURES**

Direct acting solenoid valve, designed for sub-base mounting or directly on the equipment.
 Inlet and outlet ports placed asymmetrically at the bottom of the body.
 Valve delivered with sealing O-rings.
 Suitable to shut off liquid and gaseous fluids; (verify the compatibility of fluid with materials in contact).

► **TECHNICAL FEATURES**

Maximum allowable pressure (PS) 40 bar
Opening time ~20ms
Closing time ~20ms
Fluid temperature 0°C +130°C
Max viscosity 5°E (~37 cStokes or mm²/s)

► **MATERIALS IN CONTACT WITH FLUID**

Body Brass
Sealing FPM
Internal components Stainless steel
Seat Brass or stainless steel
Core tube Stainless steel
Shading coil Copper

► **COIL**

Approval UL (class F) – for UL cl.H: ZA34
Continuous duty ED 100%
Encapsulation material PPS (Polyphenilsulfure) fiberglass reinforced
Insulation class F (155°C) on request class H (180°C)
Ambient temperature -10°C +50°C
Electric connections DIN 46340 - 3 poles plug connector (EN175301-803)
Protection degree IP 67 (EN 60529) with plug connector
Voltages DC 12-24V (+10% -5%)
AC 24V/50Hz-110V/50Hz (120V/60Hz)-230V/50Hz (+10% -15%)
 (Other voltages and frequencies on request)

Port size	Orifice size (mm)	Differential pressure (bar)				Kv (m ³ /h)	Series and type		Power absorption			Sealings	Notes	Weight (kg)	
		Δp min	Δp max				Valve	Coil	AC (VA)		DC (W)				
			Gases		Liquids				Inrush	Holding					
			AC	DC	AC										DC
-	1,6	0	30	30	30	30	0,09	L134V06	ZA10A	23	14	9	FPM	1 - 2	0,240
	2,3		20	16	20	16	0,15	L134V05						1	

► **NOTES**

- Sealings : FPM = Fluoro-carbon elastomer
- IMQ CSV approval, see ZA10 datasheet for further details
- UL approved coil (E153691)
- 1 - On request special coil ZA10X, class "F", with UL homologated windings - see overleaf.
- 2 - Solenoid valve with stainless steel seat, suitable for overheated water and steam.

L134V05-V06

► COIL FOR SPECIAL VOLTAGES ZA10X

Approval UL (class F); see voltages
 Continuous duty ED 100%
 Encapsulation material PPS (Polyphenylsulfure) fiberglass reinforced
 Coil insulation class F (155°C)
 Ambient temperature -10°C +50°C

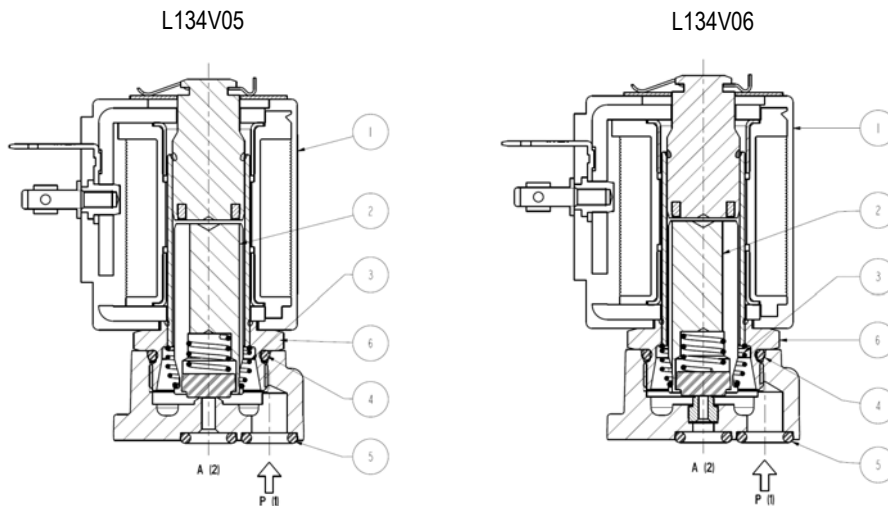
Electric connections DIN 46340 - 3 poles connectors (EN175301-803)
 Protection degree IP 67 (EN 60529) with plug connector
 Voltages AC 24V/50-60Hz (UL) ▪ 100V/50-60Hz ▪ 115-120V/60Hz ▪
 200V/50-60Hz ▪ 220-230V/50Hz - 208-240V/60Hz (UL) ▪
 220-240V/50Hz (UL) ▪ (+10% -15%)

Port size	Orifice size (mm)	Differential pressure (bar)				Kv (m ³ /h)	Series and type		Power absorption			Sealings	Notes	Weight (kg)	
		Δp min	Δp max				Valve	Coil	AC (VA)		DC (W)				
			Gases		Liquids				Inrush	Holding					
			AC	DC	AC										DC
-	1,6	0	30	-	30	-	0,09	L134V06	ZA10X	3	14	-	FPM	-	0,250
	2,3		16	-	16	-	0,15	L134V05							

► NOTES

- Sealings : FPM = Fluoro-carbon elastomer

► SPARE PARTS



Kit description

Core kit
 Core return spring kit
 O-Ring guide assembly kit
 O-Ring body kit
 Guide assembly kit
 Coil

Kit P.N.

G3022803
 G3022401
 GU2424000017
 GU2424000007
 G31486
 ZA10A
 ZA10X

Consisting of:

Core pos.2
 N.10 core return spring pos.3
 N.10 O-Ring guide assembly pos.4
 N.10 O-Ring body pos.5
 Guide assembly pos.6
 Coil clip
 Coil pos.1

► MOUNTING

Solenoid valve can be mounted in any position; vertical with coil upwards preferred.

THE VALIDITY OF REPORTED DATA IS REFERRED TO THE DATE OF ISSUE. POSSIBLE UPDATES ARE AVAILABLE ON REQUEST.