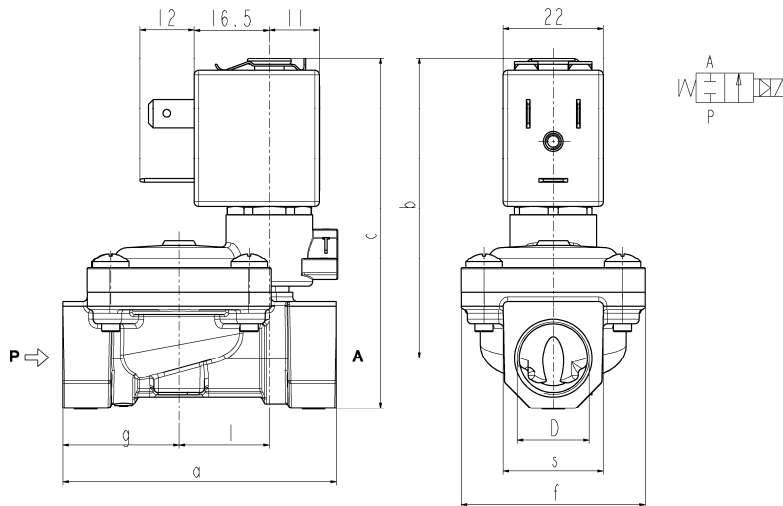




**SOLENOID VALVE**  
**2/2- NC (Normally closed)**  
**Pilot operated**  
**G1/2**

**L182B14**



D	a	b	c	f	g	l	s
G 1/2	66	68	82	40	29	20	27

► **GENERAL FEATURES**

Diaphragm valve, pilot operated, having full orifice.  
 Suitable to shut off liquid and gaseous fluids (verify the compatibility of fluid with material in contact).

► **TECHNICAL FEATURES**

Maximum allowable pressure (PS)	20bar
Opening time	from ~300ms to ~1500ms
Closing time	from ~500ms to ~1000ms
Fluid temperature	-10°C +90°C
Max viscosity	5°E (~37 cStokes or mm <sup>2</sup> /s)

► **MATERIALS IN CONTACT WITH FLUID**

Body	Brass
Sealing	NBR
Internal components	Brass and stainless steel
Seat	Brass
Core tube	Stainless steel
Shading coil	Copper

► **COIL**

Continuous duty	ED 100%
Encapsulation material	PA (polyamide) fiberglass reinforced
Insulation class	F (155°C)
Ambient temperature	-10°C +60°C
Electric connections	DIN 46340 - 3 poles connectors
Protection degree	IP 65 (EN 60529) with plug connector
Voltages DC	12-24V (+10% -5%)
AC	24V/50-60Hz - 115V/50Hz - 230V/50-60Hz (+10% -15%)
	(Other voltages and frequencies on request).

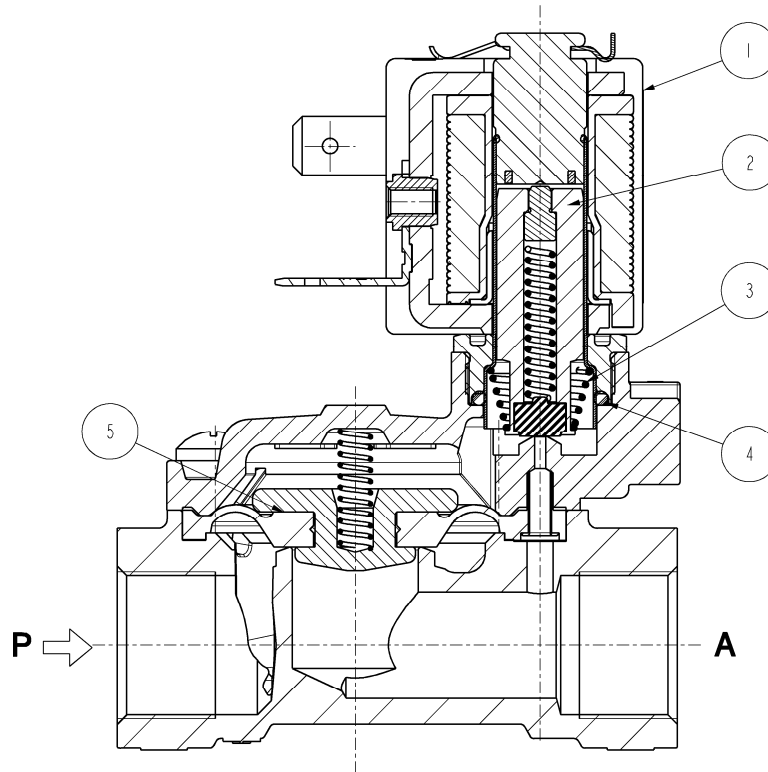
Port size ISO 228	Orifice size (mm)	Differential pressure (bar)				Kv (m <sup>3</sup> /h)	Series and type		Power absorption				Sealings	Notes	Weight (kg)	
		Δp min	Δp max				Valve	Coil	AC			DC				
			Gases		Liquids				Inrush	Holding						
			AC	DC	AC					DC	VA					VA
1/2	13,5	0,35	10	10	10	10	3,8	L182B14	ZB10A	12	6	4	5,5	NBR	-	0,38

► **NOTES**

- Sealings: B =Nitrile-butylene elastomer
- Operation with gaseous media, at high pressure without any outlet restriction, can reduce the diaphragm life.

# L182B14

## ► SPARE PARTS



Kit description	Kit P.N.	Consisting of:
Core kit	G3138201	Core kit pos.2 Core return spring pos. 3 O-Ring guide assembly pos. 4
Diaphragm assembly	2844307R	Diaphragm assembly pos.5
Coil	ZB10A	Coil pos.1

## ► INSTALLATION

- Solenoid valve can be mounted in any position; vertical with coil upwards preferred.

THE VALIDITY OF REPORTED DATA IS REFERRED TO THE DATE OF ISSUE. POSSIBLE UPDATES ARE AVAILABLE ON REQUEST