



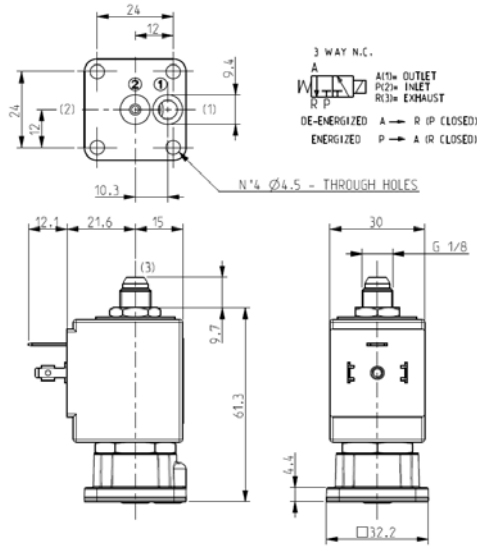
SOLENOID VALVE

3/2 - NC (Normally closed)

Direct acting

Sub-base mounting

L334



► GENERAL FEATURES

Direct acting solenoid valve, designed for sub-base mounting or directly on the equipment. Inlet and outlet ports asymmetrically placed on the bottom of the body.
 Valve delivered with sealing O-ring (FPM).
 Suitable to shut off liquid and gaseous fluids particularly suitable to shut off overheated water and steam (verify the compatibility of fluid with material in contact).

► TECHNICAL FEATURES

Maximum allowable pressure (PS) 40 bar
 Opening time ~ 15ms
 Closing time ~ 15ms
 Fluid temperature -10°C +170°C (RUBY)
 0°C +130°C (FPM)
 Max viscosity 5°E (37 cStokes or mm²/s)

► MATERIALS IN CONTACT WITH FLUID

Body L334C18C/V19C: Brass
 L334C28C: Stainless steel
 Sealing RUBY or FPM
 Internal components Stainless steel
 Seat Stainless steel
 Core tube Stainless steel
 Shading coil Copper

► COIL

Approval UL (class F) – for UL cl.H: ZA34
 Continuous duty ED 100%
 Encapsulation material PPS (Polyphenilsulfure) fibreglass reinforced
 Insulation class F (155°C) – on request cl.H (180°C)
 Ambient temperature -10°C +50°C
 Electric connection DIN 46340 - 3 poles plug connectors (EN175301-803)
 Protection degree IP 67 (EN 60529) with plug connectors
 Voltages DC ZA10G: 12-24V (+10% -5%)
 AC ZA10A: 24V/50Hz - 110V/50Hz (120V/60Hz) - 230/50Hz (+10% -15%)
 (Other voltages and frequencies on request)

Port size	Orifice size (mm)	Differential pressure (bar)				Kv (m ³ /h)	Series and type		Power absorption			Sealings	Notes	Weight (kg)
		Δp min	Δp max		Valve		Coil	AC (VA)		DC (W)				
			Gases	Liquids				Inrush	Holding					
-	1,5	0	13	-	13	-	L334C18C	ZA10A	23	14	-	RUBY	1-2-3-5-6	0,240
			-	13	-	13		ZA10G	-	-	12			
			13	-	13	-	L334C28C	ZA10A	23	14	-			
			-	13	-	13		ZA10G	-	-	12			
	1,6	0	13	-	13	-	L334V19C	ZA10A	23	14	-	FPM	2-4-5	
			-	13	-	13		ZA10G	-	-	12		2-4	

► NOTES

- Sealings: RUBY = Synthetic corundum FPM = Fluoro-carbon elastomer
- Upper exhaust (3) with seat diameter 2,5 mm (L334C18C/C28C) and with seat diameter 2,3 mm (L334V19C).
- IMQ CSV approval, see ZA10 datasheet for further details
- UL approved coil (E153691)
- 1 – The use of rigid sealings (RUBY) with gaseous fluids implies a slight leakage, generally limited within 2 scc/min at 1 bar pressure.
- 2 – OR between core armature and body in FPM.
- 3 – Only for use with steam, consider following values: PS_{max} = 8 bar (max fluid temperature 170°C).
- 4 – Only for use with steam, consider following values: PS_{max} = 2,8 bar (max fluid temperature 130°C).
- 5 – On request special coils ZA10, class "F", with UL homologated windings - see overleaf.
- 6 – On request available with brass body with low lead content and lead removal treatment of the surface (L334C29C)

L334

► COILS FOR SPECIAL VOLTAGES ZA10X – ZA10B

Approval UL (class F); see voltages
Continuous duty ED 100%
Encapsulation material PPS (Polyphenylsulfure) fibreglass reinforced
Coil insulation class F (155°C)
Ambient temperature -10°C +50°C

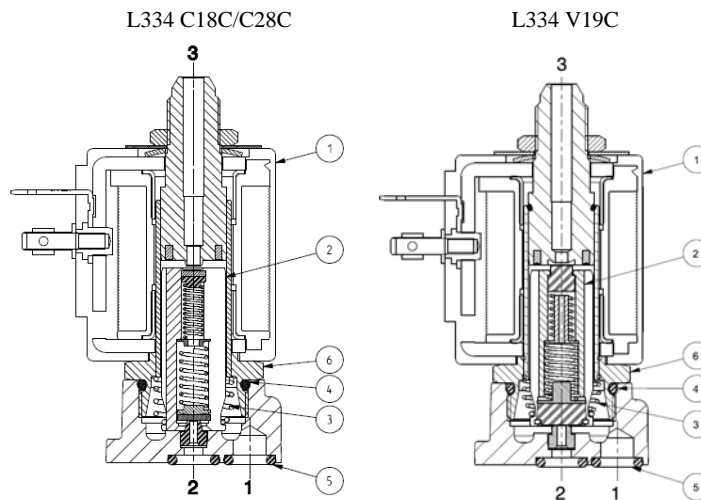
Electric connections DIN 46340 - 3 poles connectors (EN175301-803)
Protection degree IP 67 (EN 60529) with plug connector
Voltages DC ZA10B: 24V (UL) ▪ (+10% -5%)
 AC ZA10X: 24V/50-60Hz (UL) ▪ 100V/50-60Hz ▪ 115-200V/50-60Hz ▪ 220-230V/50Hz - 208-240V/60Hz (UL) ▪ 220-240V/50Hz (UL) ▪ (+10% -15%)

Port size	Orifice size (mm)	Differential pressure (bar)				Kv (m³/h)	Series and type		Power absorption			Sealings	Notes	Weight (kg)	
		Δp min	Δp max				Valve	Coil	AC (VA)		DC (W)				
			Gases		Liquids				Inrush	Holding					
			AC	DC	AC										AC
-	1,5	0	13	-	13	-	L334C18C	ZA10X	23	14	-	RUBY	1-2-3	0,250	
			-	13	-	13		ZA10B	-	-	10				
			13	-	13	-	L334C28C	ZA10X	23	14	-				
			-	13	-	13		ZA10B	-	-	10				
	1,6	13	-	13	-	L334V19C	ZA10X	23	14	-	FPM				2-4

► NOTES

- Sealings: RUBY = Synthetic corundum FPM = Fluoro-carbon elastomer
- Upper exhaust (3) with seat diameter 2,5 mm (L334C18C/C28C) and with seat diameter 2,3 mm (L334V19C).
- 1 – The use of rigid sealings (RUBY) with gaseous fluids implies a slight leakage, generally limited within 2 scc/min at 1 bar pressure.
- 2 – OR between core armature and body in FPM (Fluoro-carbon elastomer)
- 3 – Only for use with steam, consider following values: PSmax = 8 bar (max fluid temperature 170°).
- 4 – Only for use with steam, consider following values: PSmax = 2,8 bar (max fluid temperature 130°).

► SPARE PARTS



Kit description

Core kit

L334C18C/C28C
L334V19C

Kit P.N.

G3008701
G3027803

Consisting of:

Core pos.2
O-Ring guide assembly pos. 4

Core return spring kit

L334C18C/C28C
L334V19C

G3018201
G3027201

N.10 core return spring pos.3

O-Ring guide assembly kit

GU2424000017

N.10 O-Ring guide assembly pos.4

O-Ring body kit

GU2424000007

N.10 O-Ring body pos.5

Guide assembly

L334C18C/C28C
L334V19C

3001701R
297779-001R

Guide assembly pos.6

Coil

ZA10A
ZA10G
ZA10X
ZA10B

Coil pos. 1

► MOUNTING

Solenoid valve can be mounted in any position; vertical with coil upwards preferred.