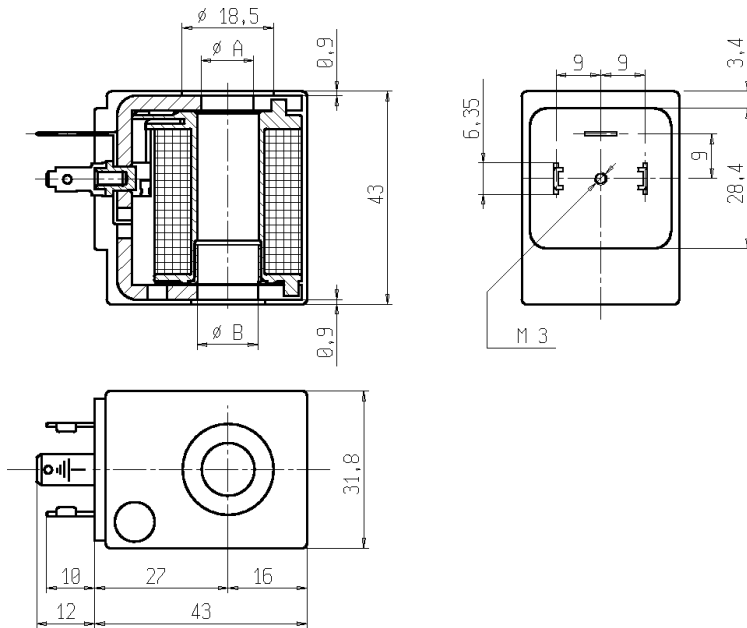




COIL

Spade terminals (DIN 46340)

Z5..



► GENERAL FEATURES

Complying with 2014/35/EU (LVD) and 2014/30/EU (EMC) directives.
Product in accordance with the RoHS 2 directive.
100% inspected.

► ELECTRIC CONNECTIONS

Spade terminals 6,3 x 0,8 (DIN46340), 2 line + 1 earth terminals.
3 poles plug connector (DIN 43650).

► ENCAPSULATION MATERIALS

PET (polyethylene terephthalate) fiberglass reinforced; black colour.

► TECHNICAL FEATURES

Continuous duty ED 100%
Insulation class Z530A : F (140°C)
Z534A : H (165°C)
Ambient temperature Z530A : 10°C +60°C
Z534A : -10°C +80°C.
Protection degree IP 65 (EN 60529) with plug connector
Voltages DC 12-24V (+10% -5%)
AC 24V/50Hz – 110V/50Hz (120V/60Hz)
230V/50Hz (+10% -15%)
(Other voltages and frequencies on request).

TYPE	POWER ABSORPTION			HOLES		NOTES	WEIGHT (kg)
	AC (VA)		DC (W)	Ø A	Ø B		
	Inrush	Holding					
Z530A	23	14	9	10,7	12,35	-	0,200
Z534A						1	

► NOTES

1 - UL APPROVAL (E153691).