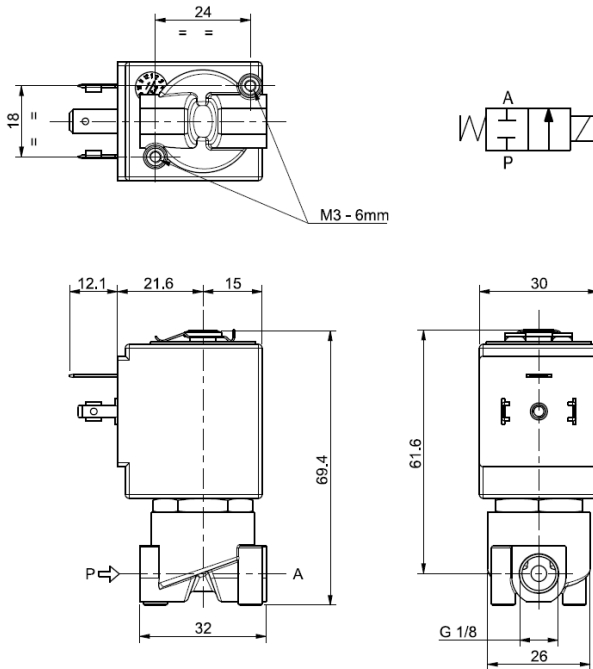




SOLENOID VALVE
2/2- NC (Normally closed)
Direct acting
G 1/8

L120v07



► **GENERAL FEATURES**

Direct acting solenoid valve, small body size.
 Suitable to shut off liquid and gaseous fluids (verify the compatibility of fluid with material in contact).

► **TECHNICAL FEATURES**

Maximum allowable pressure (PS) 40 bar
 Opening time ~ 20ms
 Closing time ~ 20ms
 Fluid temperature 0°C +130°C
 Max viscosity 5°E (~37 cStokes or mm²/s)

► **MATERIALS IN CONTACT WITH FLUID**

Body Brass
 Sealing FPM
 Internal components Stainless steel
 Seat Stainless steel
 Core tube Stainless steel
 Shading coil Copper

► **COIL**

Approval UL (class F) – for UL cl. H: ZA34
 Continuous duty ED 100%
 Encapsulation material PPS (Polyphenilsulfure) fiberglass reinforced
 Insulation class F (155°C) on request class H (180°C)
 Ambient temperature -10°C +50°C
 Electric connection DIN 46340 - 3 poles plug-connectors (EN175301-803)
 Protection degree IP67 (EN 60529) with plug-connector
 Voltages DC 12-24V (+10% -5%)
 AC 24V/50Hz - 110V/50Hz (120V/60Hz) - 230V/50Hz (+10% -15%)
 (Other voltages and frequencies on request)

Port size ISO 228	Orifice size (mm)	Differential pressure (bar)						Kv (m ³ /h)	Series and type		Power absorption			Sealings	Notes	Weight (kg)
		Δp min	Δp max				Valve		Coil	AC (VA)		DC (W)				
			Gases		Liquids					Inrush	Holding					
			AC	DC	AC	DC										
G 1/8	2,3	0	20	16	20	16	0,15	L120V07	ZA10A	23	14	9	FPM	1 – 2	0,260	

► **NOTES**

- Sealings: FPM=Fluoro-carbon elastomer
- IMQ CSV approval, see ZA10 datasheet for further details
- UL approved coil (E153691)
- 1 - Solenoid valve with stainless steel seat.
- 2 - On request special coil ZA10X, class "F", with UL homologated windings – see overleaf.

L120V07

► COIL FOR SPECIAL VOLTAGES ZA10X

Approval UL (class F); see voltages

Continuous duty ED 100%

Encapsulation material PPS (Polyphenylsulfure) fiberglass reinforced

Insulation class F (155°C)

Ambient temperature -10°C +50°C

Electric connection DIN 46340 - 3 poles plug-connectors (EN175301-803)

Protection degree IP 67 (EN 60529) with plug-connector

Voltages AC 24V/50-60Hz (UL) ▪ 100V/50-60Hz ▪ 115-120V/60Hz ▪

200V/50-60Hz ▪ 220-230V/50Hz - 208-240V/60Hz (UL) ▪

220-240V/50Hz (UL) ▪ (+10% -15%)

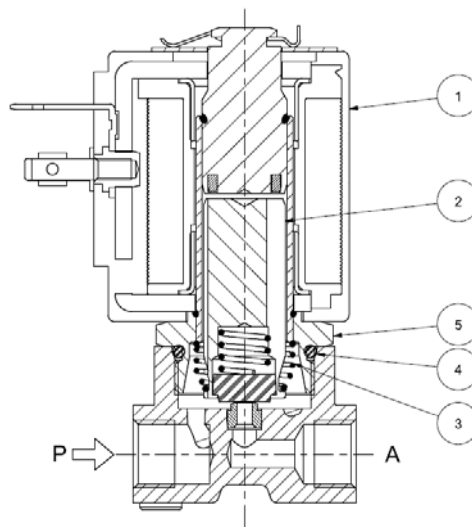
Port size ISO 228	Orifice size (mm)	Differential pressure (bar)				Kv (m ³ /h)	Series and type		Power absorption			Sealings	Notes	Weight (kg)	
		Δp min	Δp max				Valve	Coil	AC (VA)		DC (W)				
			Gases		Liquids				Inrush	Holding					
			AC	DC	AC										DC
G 1/8	2,3	0	16	-	16	-	0,15	L120V07	ZA10X	23	14	-	FPM	1	0,270

► NOTES

- Sealings: FPM=Fluoro-carbon elastomer

1 - Solenoid valve with stainless steel seat.

► SPARE PARTS



Kit description

Core kit

Kit P.N.

G3022803

Consisting of:

Core (with core return spring) pos. 2
OR guide assembly pos.4

Core return spring kit

G3022401

N.10 core return spring pos.3

OR guide assembly kit

GU242400017

N.10 OR guide assembly pos.4

Guide assembly kit

G31486

Guide assembly pos.5
Coil clip

Coil

ZA10A
ZA10X

Coil pos.1

► INSTALLATION

- Solenoid valve can be mounted in any position; vertical with coil upwards preferred.

THE VALIDITY OF REPORTED DATA IS REFERRED TO THE DATE OF ISSUE. POSSIBLE UPDATES ARE AVAILABLE ON REQUEST.